

| | | | |
|--|---|---------------------------|-------------|
| MODEL NUMBER | IXHHI10-36-215T | | |
| HORSEPOWER | 10 | | |
| RPM / POLES | 3600 / 2 | | |
| VOLTAGE / PHASE | 230 / 460 V / 3 | | |
| FRAME | 215T | | |
| ENCLOSURE / DEGREE OF PROTECTION | TEFC / IP54 | | |
| FREQUENCY | 60 HZ | | |
| FULL LOAD SPEED | 3525 RPM | | |
| SERVICE FACTOR | 1.15 | | |
| INSULATION CLASS | F Class N Varnish | | |
| FULL LOAD AMPS; 230 / 460 | 24.0 / 12.0 A Usable On 208 V At 26.5 A | | |
| LOCKED ROTOR CURRENT (% Full Load) | 680 / 680 % | | |
| NEMA CODE LETTER | H | | |
| EFFICIENCY / POWER FACTOR | <u>LOAD</u> | <u>EFF.</u> | <u>P.F.</u> |
| | 100 % | 90.2 % | 87.0 % |
| | 75 % | 90.3 % | 85.0 % |
| | 50 % | 88.0 % | 80.0 % |
| DUTY CYCLE | S1 / Continuous | | |
| TORQUE | <u>FULL LOAD</u> | <u>LRT</u> | <u>BDT</u> |
| | 15.0 lb.ft. | 160 % | 260 % |
| NEMA DESIGN | B | | |
| MOMENT OF INERTIA | <u>LOAD (Max.)</u> | <u>MOTOR</u> | |
| | 37.969 lb.ft. ² | 0.451 lb.ft. ² | |
| SOUND PRESSURE LEVEL (No Load 1 M From Motor) | 76 dB(A) | | |
| MAX. SHAFT VIBRATION | 0.08 In/Sec – Peak Velocity | | |
| NUMBER OF STARTS (Hot / Cold) | 2 Hot / 3 Cold | | |
| MAX. ELEVATION | 3300 Ft. Above Sea Level | | |
| TEMPERATURE RISE (At Full Load) | 80° C | | |
| DRIVE-END BEARING | 6307ZZC3 | | |
| OPPOSITE DRIVE-END BEARING | 6307ZZC3 | | |
| GREASE TYPE | Mobil Polyrex EM | | |
| MOUNTING | F1, W6, W8, B3, V5, V6 | | |
| ROTATION | Bi-Directional | | |
| APPROXIMATE WEIGHT | 180 lbs. | | |
| AREA CLASSIFICATION | Class I, Division 1, Groups C and D | | |
| TEMPERATURE CODE WITH THERMOSTAT USE | T4 | | |
| TEMPERATURE CODE AT 40°C AMBIENT | T2C | | |
| TEMPERATURE CODE AT 55°C AMBIENT | T2B | | |
| THERMOSTAT TYPE | Normally Closed | | |
| INVERTER RATING | 4:1 CT (Constant) / 10:1 CT (Intermittent-1 Hour) / 10:1 VT | | |
| INSULATION TYPE | Hyundai Inverter Shield, Meets NEMA MG1 Part 31 | | |
| UL CERTIFICATION NUMBER | E216236 | | |





TEFC

THREE PHASE INDUCTION MOTOR

TYPE

XKP,XIP

CAST IRON FRAME

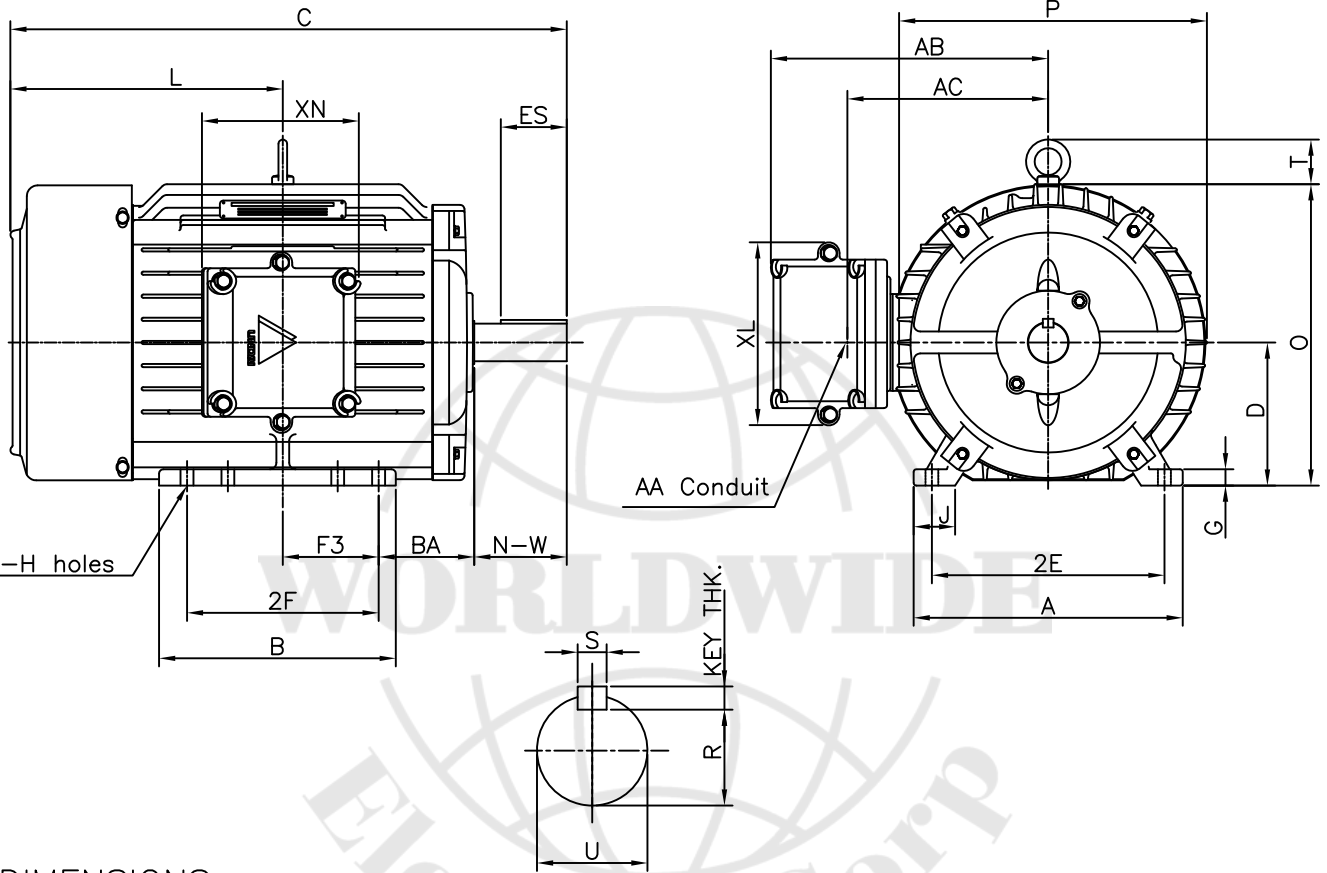
FRAME SIZE

OUTPUT(HP)

POLES

Hz

TIME RATING



DIMENSIONS

| MOUNTING | | | | | | | | | CONDUIT BOX | | | | | | APPROX. WGT.(lb) |
|----------|------|------|------|---|------|------|------|------|-------------|-------|------|----|------|------|------------------|
| A | B | 2E | 2F | - | F3 | G | J | H | AA | AB | AC | XB | XL | XN | |
| 9.84 | 8.66 | 8.50 | 7.00 | - | 3.50 | 0.60 | 1.52 | 0.41 | 1.00 | 10.15 | 7.35 | - | 6.69 | 5.98 | 180 |

| OVERALL | | | | | | | SHAFT | | | | | KEY THK. | BEARING | |
|---------|-------|------|------|-------|-------|------|-------|------|--------|------|-------|----------|-----------|----------------|
| BA | C | D | L | O | P | T | U | N-W | KEYWAY | | | | DRIVE END | OPP. DRIVE END |
| | | | | | | | | | R | ES | S | | | |
| 3.50 | 20.36 | 5.25 | 9.97 | 11.02 | 11.26 | 1.63 | 1.375 | 3.38 | 1.201 | 2.41 | 0.312 | 0.312 | 6307ZZC3 | 6307ZZC3 |

NOTE

- 1.Dimension "D" tolerance : +0.00inch - 0.03inch
- 2.Dimension "U" tolerance : +0.000inch - 0.0005inch
- 3.Dimension "R" tolerance : +0.000inch - 0.015inch

| | | | | | | | |
|---------|---------|----------|------------|---------|-----------|-----------------|--|
| APPD BY | J.H.KIM | UNIT | INCH | SUBJECT | NEMA 215T | CAD PROJ \ FILE | |
| CHKD BY | N.D.LEE | SCALE | 1/8 | | | LM-U1215B3TL001 | |
| CHKD BY | K.S.LEE | PROJEC'N | 3rd Angle | TITLE | | | |
| DSND BY | S.W.SEO | DATE | 2012.02.11 | | | | |

| | | | |
|--|---------|-----------------|----------------|
| | REF. NO | LM-U1215B3TL001 | Sheet No. of |
| | DWG NO | LM-U1215B3TL001 | Revision No. 0 |

OUTLINE